



FEDERAL SERVICE
FOR INTELLECTUAL PROPERTY

(51) Int. Cl.
H04R 23/00 (2006.01)

(12) ABSTRACT OF INVENTION

(21)(22) Application: 2012119625/28, 11.05.2012

(24) Effective date for property rights:
11.05.2012

Priority:

(22) Date of filing: 11.05.2012

(45) Date of publication: 20.10.2013 Bull. 29

(72) Inventor(s):

Viger Boris Georgievich (RU)

(73) Proprietor(s):

Viger Boris Georgievich (RU)

(54) ELECTRIC-ARC LOUDSPEAKER

(57) Abstract:

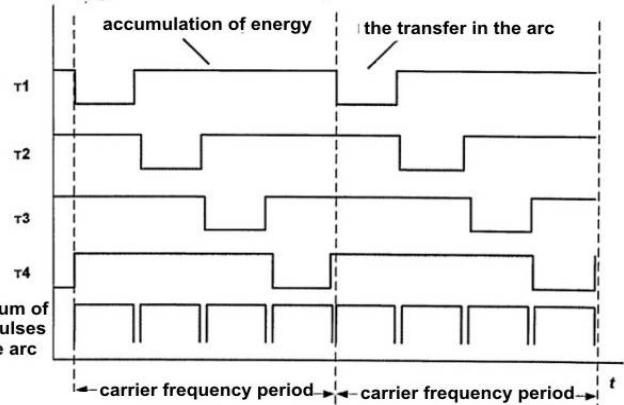
FIELD: electricity.

SUBSTANCE: more than one step-up transformer is used, the secondary windings of which are parallel connected to electrodes, between which there created is high-voltage electric arc emitting sound vibrations by means of sound frequency amplifier and the commutator alternately distributing output voltage of amplifier to primary windings of transformers. With that, pulses of constant frequency and duration are obtained. During pulse action, transformer accumulates the energy proportional to output voltage of amplifier, which is transferred to arc at the interval between accumulation pulses. Pulses on primary windings of transformers are uniformly offset relative to each other within one carrier frequency period, have temporary ratios of energy accumulation and transfer, which correspond

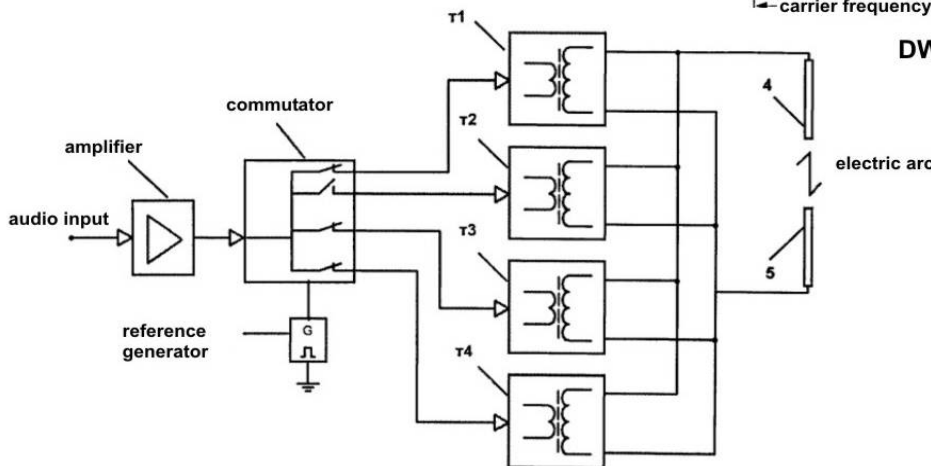
to number of used transformers. Besides, on arc electrodes there performed is series, alternate, amplitude-pulse modulation from each transformer, which improves accuracy of sound signal.

EFFECT: improving reproduction accuracy of sound signals.

2 dwg



DWG.2



DWG.1

RU 2 4 9 6 2 5 4 C 1

RU 2 4 9 6 2 5 4 C 1